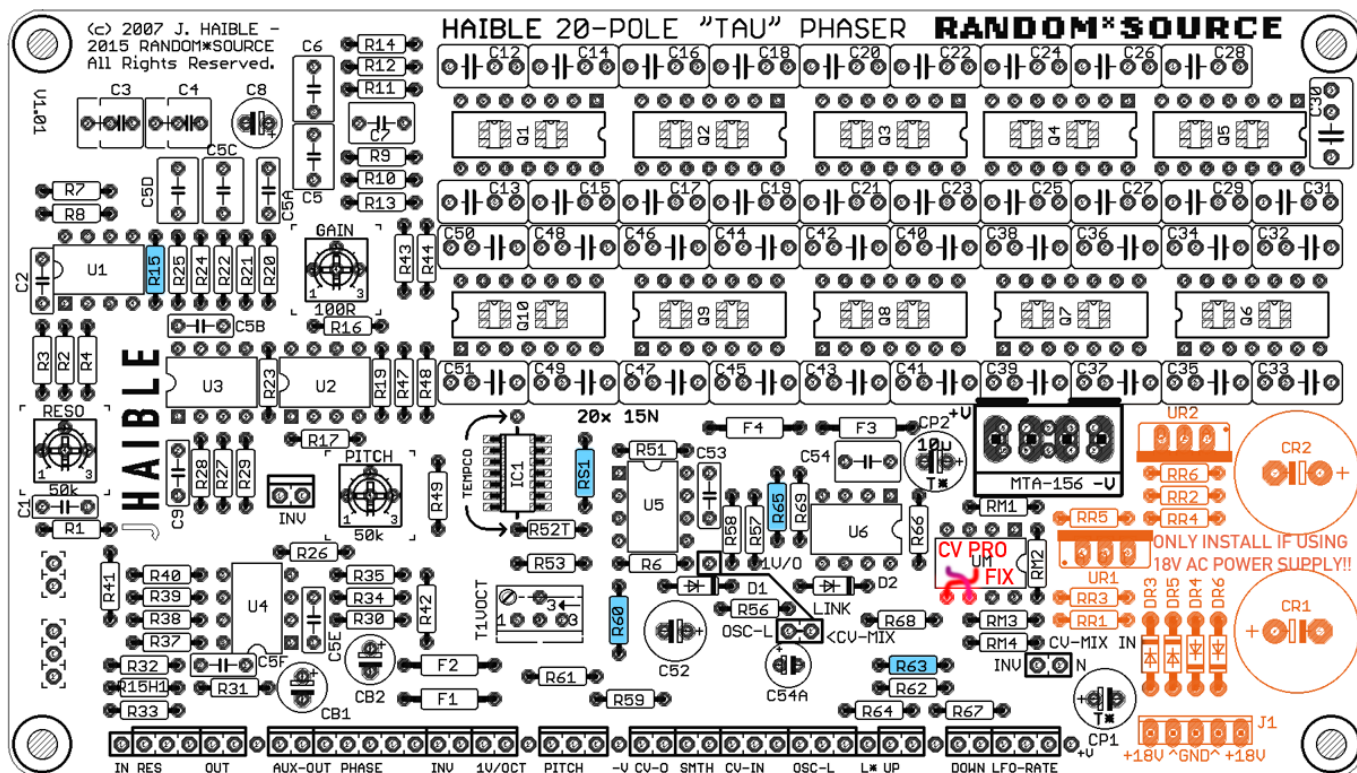


JHAIBLE 20-POLE TAU PHASER

pcb version 1.01

RESISTORS SHOWN IN BLUE ARE (POTENTIALLY) RELEVANT TO ADOPT THE BOARD FOR +/-12V USE - SEE DOCUMENTATION.



INSTALL THE PSU COMPONENTS SHOWN IN ORANGE ONLY IF YOU USE AN EXTERNAL 18V AC POWER SUPPLY!

DO NOT INSTALL THEM IF YOU POWER THE BOARD USING A STABILIZED +/-15V (OR 12V) POWER SUPPLY (E.G. IN A MODULAR)!!

THE OPTIONAL CV MIXER CONTAINS AN ERROR:

Input pins 5 and 6 of UM are mixed up. Sorry!
This can be fixed off-board:

- (1) Carefully bend leg 6 of the IC up (into the air),
- (2) (carefully) bend leg 5 into position 6 of the socket,
- (3) insert a wire into position 5 of the socket, add a piece of insulation and solder it onto leg 6 of the IC.

THIS IS ONLY RELEVANT IF YOU INTEND TO USE THE ADDED CV-MIXER/PROCESSOR!

